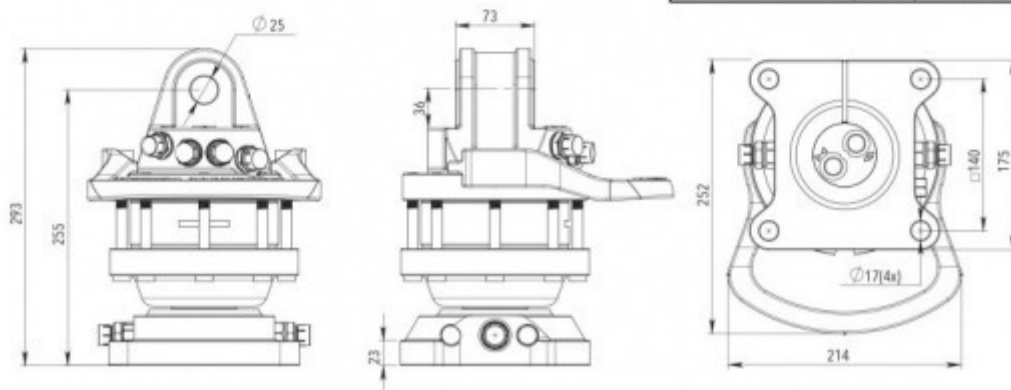


# FORMIKO HYDRAULICS FHR 4500SF

STATIC LOAD: **45 kN**  
 DYNAMIC LOAD: **25 kN**  
 TORQUE at 25MPa: **1200 Nm**  
 WEIGHT: **32 kg**  
 OILFLOW: **20 l/min**  
 COMPATIBILITY: 

FHL01-A/B-73/25




**HYDROCRANE**  
 HYDROCRANE S.C.  
 ul. Klonowa 1  
 76-031 Mścice  
 tel 572 352 942  
 e-mail [wojtek@hydrocrane.pl](mailto:wojtek@hydrocrane.pl)