

FORMIKO HYDRAULICS FHR 3000L

SPRING LOAD
30 kN

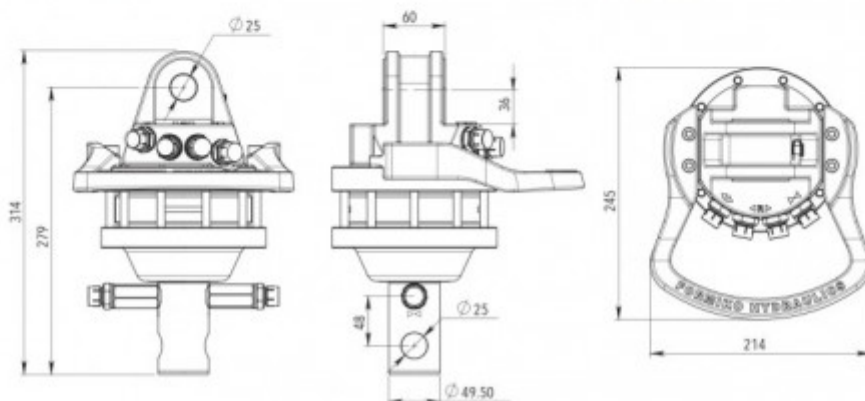
DYNAMIC LOAD
15 kN

TORQUE at 25MPa
900 Nm

WEIGHT
18 kg

OILFLOW
20 l/min

COMPATIBILITY
FHL01-A/B-60/25



HYDROCRANE S.C.
 ul. Klonowa 1
 76-031 Mścice
 tel 572 352 942
 e-mail wojtek@hydrocrane.pl